

Assembly Instructions for  
**Servo-Driven Parallel Gripper Kit (Servo Included)**  
SKU: 3219-0001-0002

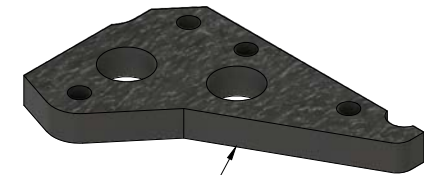
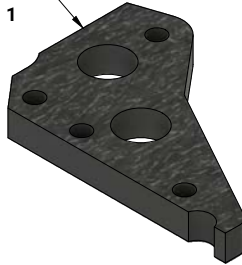


# Kit Contents

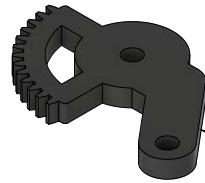
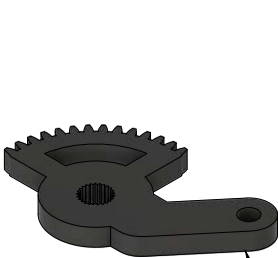


Frame  
SKU:1131-0160-0068  
QTY: 1

Left Gripper  
SKU: 1131-0160-0069  
QTY: 1



Right Gripper  
SKU: 1131-0160-0070  
QTY: 1



Driven Gear Arm  
SKU: 1131-0040-0003  
QTY: 1

Servo Gear Arm  
SKU: 1131-0040-0002  
QTY: 1

Linkage  
SKU: 1131-0032-0007  
QTY: 4



Servo Spacer  
SKU: 1131-0032-0008  
QTY: 2



Proton Servo  
SKU: 2002-0180-0002  
QTY: 1

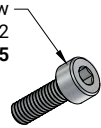
## Tools Required

- 2.5mm Hex Key
- 3mm Hex Key
- 7mm Nut Driver or Wrench

M3 Socket Head Screw  
SKU: 2800-0003-0006  
QTY: 1 (Included with Proton Servo)



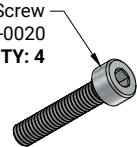
12mm Socket Head Screw  
SKU: 2800-0004-0012  
QTY: 5



18mm Socket Head Screw  
SKU: 2800-0004-0018  
QTY: 2



20mm Socket Head Screw  
SKU: 2800-0004-0020  
QTY: 4



Locknut  
SKU: 2812-0004-0007  
QTY: 6



4mm ID Washer  
SKU: 2801-0004-0008  
QTY: 25 (1 Pack)



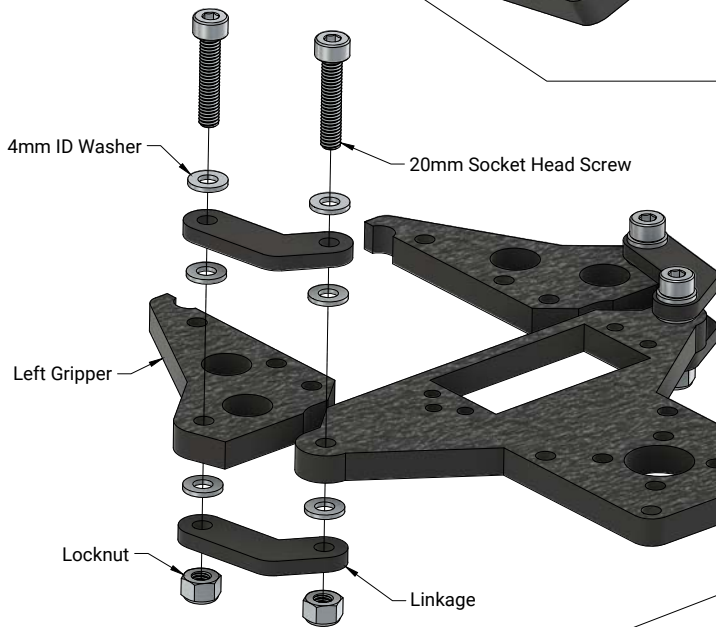
3mm ID Washer  
SKU: 2801-0003-0008  
QTY: 1



**STEP 1:**

Use **two** 20mm Socket Head Screws, **six** 4mm ID Washers, and **two** Locknuts to assemble **one** Right Gripper, **two** Linkages, and **one** Frame as shown.

After tightening the screws, loosen them slightly to allow the gripper to move freely.



**STEP 2:**

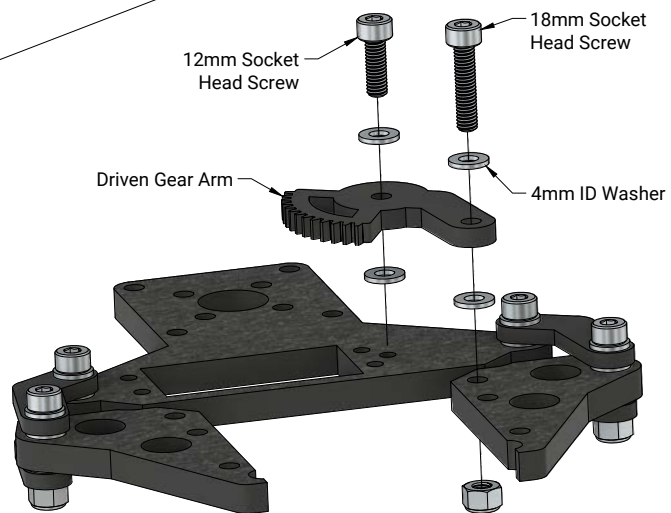
Use **two** 20mm Socket Head Screws, **six** 4mm ID Washers, and **two** Locknuts to attach **two** Linkages and **one** Left Gripper as shown.

After tightening the screws, loosen them slightly to allow the gripper to move freely.

**STEP 3:**

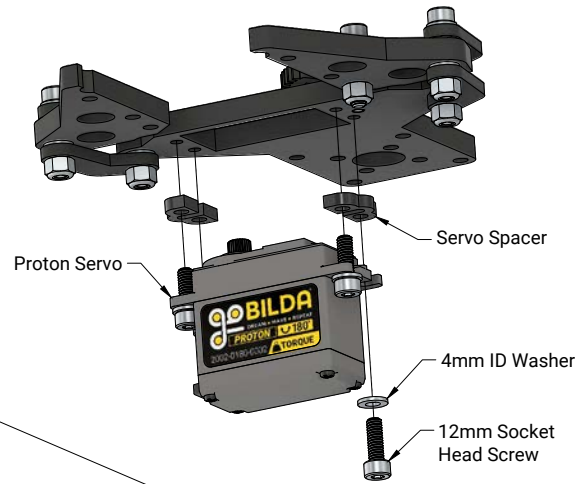
Use **one** 12mm Socket Head Screw and **two** 4mm ID Washers to attach **one** Driven Gear Arm to the Frame, then use **one** 18mm Socket Head Screw, **two** 4mm ID Washers, and **one** Locknut to fasten the other end of the Driven Gear Arm to the Left Gripper as shown.

After tightening the screws, loosen them slightly to allow the gripper to move freely.



**STEP 4:**

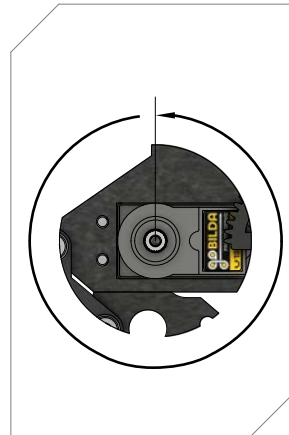
Attach **one** Proton Servo using **two** Servo Spacers, **four** 4mm ID Washers, and **four** 12mm Socket Head Screws as shown. Leave the screws slightly loose.



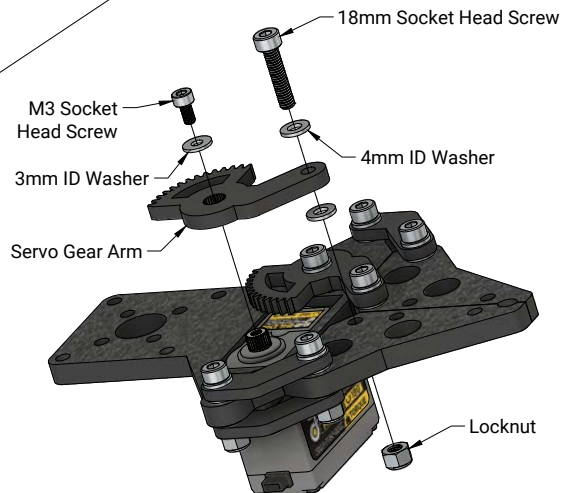
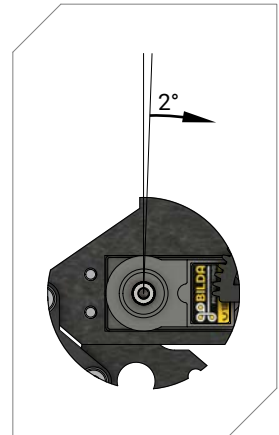
**STEP 5:**

Use your servo controller to rotate the Proton Servo counter-clockwise to its limit (**Figure 5-A**), then rotate the Proton Servo clockwise a very small distance (about 2°) (**Figure 5-B**). After completing these two servo movements, unplug your servo and close the Right Gripper and Left Gripper by hand.

**Figure 5-A**



**Figure 5-B**



**STEP 7:**

Use **one** M3 Socket Head Screw, **one** 3mm ID Washer, **one** 18mm Socket Head Screw, **two** 4mm ID Washers, and **one** Locknut to fasten **one** Servo Gear Arm as shown.

After tightening the 18mm Socket Head Screw, loosen it slightly to allow the gripper to move freely. Leave the M3 Socket Head Screw tight.

**STEP 7:**  
Tighten the four 12mm Socket Head Screws to fix the  
Proton Servo in place.



## Congratulations!

Your Servo-Driven Parallel Gripper Kit is now assembled! Your projects are sure to take hold of success in parallel  
to the trajectory of your imagination!

